



THD PROCTOSTATION

THD ProctoStation is an integrated, modular and expandable one-stop platform for the Colo-Rectal Surgeon/Proctologist, to perform Anorectal Manometry; EAUS and High Resolution Anoscopy.

It includes:

1) THD ProctoSoftware – PROCTOLOGY

INTEGRATED SOFTWARE composed of:

- Users management module
- Patient Database module
- High Resolution Anocopy (magnification up to 39X) module
- Two-dimensional Trans-anal Ultrasound module
- Medical report form

THD ProctoSoftware is a Class IIA Medical Device, CE 1936 mark

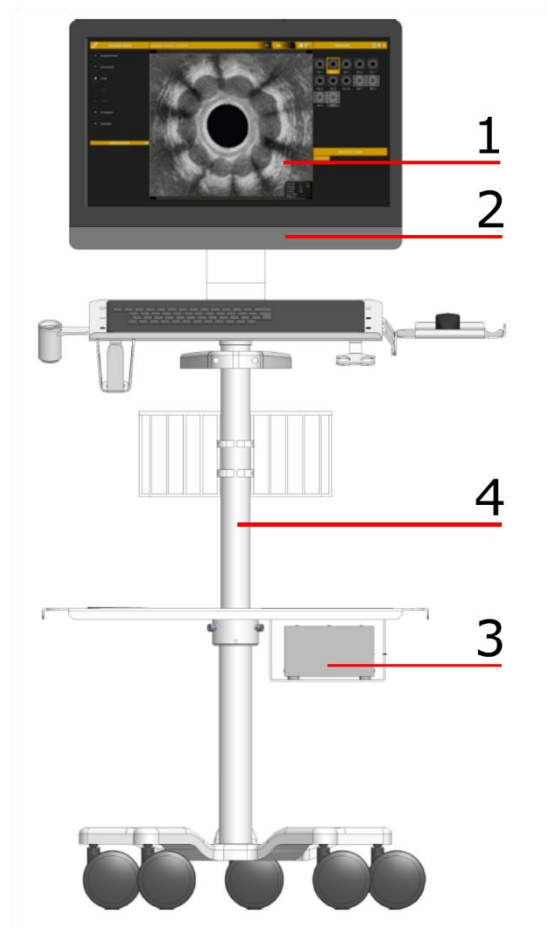
2) Dedicated Hardware composed of an All in One

Professional Personal Computer with 23" (1920x1080) screen, Storage 1TB, LAN Wireless GigaByte Ethernet, Windows 10 Professional, wireless Keyboard and Mouse.

3) Isolation transformer (880027) – this type of transformer reduces the leakage current to ensure patient safety. *TUV Certification: EN60601-1:2006-3rd; EN60601-1-2:2007; IEC 60601-1:2005; IEC 60601-1-2:2007 ; TÜV-SÜD - NRTL C + US*

4) ProctoTrolley – 5 pivoting wheels with brakes and (orientable) dragging handle with:

- Orientable accessory holder basket
- Integrated tools holder accessories
- Surface for extra medical devices





Dimensional Features	
THD PROCTOSTATION	
Height	1500 mm
Front width	800 mm
depth	590 mm
Diameter of wheels rotation	740 mm
Weight (without packaging)	50 Kg
Weight (with packaging)	90 kg

Functional Features	
Computer (processor)	PC Touchscreen All in One (Core i5)
Memory	8 GB
Operational System	MS Windows 10
Hard Disk	1 TB (7200 rpm)
Screen	23,8" - Risoluzione 1920x1080, orientabile
Graphic board	Intel® HD
Doors	7 USB 3.0; 1 HDMI; 1 Displayport, 1 USB 3.0 Type-C
Connection	LAN Gigabyte Ethernet 10/100/1000 Wireless LAN 802.11 b/g/n
Alimentation	110V/240V – 50/60 Hz
Accessories	Wireless keyboard and wireless mouse
Anoscopy maximum magnification level	39X

Accessories			
REF	Denomination	Description	Connection
800227	THD HRA CAMERA 2.0	High Definition USB Camera	USB 2
800179	THD EAUS PROBE 12 MHZ	12 MHz Trans-anal Ultrasound Probe	USB 2
800140	THD ANOPRESS	Anorectal Manometry Device	Bluetooth

Accessories for THD ProctoStation				
REF	Denomination	Q.ty	Description	Packaging
800191	THD LIGHT-SCOPE PROCTO HRA	10	Proctoscope designed for HRA	Single Use Not sterile
800150	THD PRESSPROBE (ENV)	50	Anal Manometry Probe	
800151	THD PRESSKIT (TR ENV)	50		
800152	THD PRESSKIT (FL ENV)	50		
800192	THD SENSYPROBE	15	Anal Manometry Probe	

THD PROCTOSTATION		
Q.ty	Cod.	Description
1	800198	THD PROCTOSTATION