



THD N-ANO



Use

The THD N-ano anoscope is a SINGLE-USE medical device indicated for anorectal canal analysis.

General description

The THD N-ano anoscope combines a practical and lightweight anoscope and a powerful integrated LED light source in one single-use device in order to give you a clear and detailed view of the inspection area.

The THD N-ano anoscope is ready for use and does not require any other equipment for use.

The light source is activated simply by pulling out a tab.

Features

- Made of medical-grade polycarbonate
- Complies with the biocompatibility requirements established by ISO 10993
- Self-illuminating with light integrated in the device
- Atraumatic insertion profile
- Extremely compact
- Ready to use
- Lightweight (40g)
- Class I CE device
- Individually packed
- Latex-free



Advantages:

- Does not require an additional light source
- Does not require preparation before use
- Eliminates the risk of cross-contamination
- Compact and easy to handle
- Mini-invasive and atraumatic

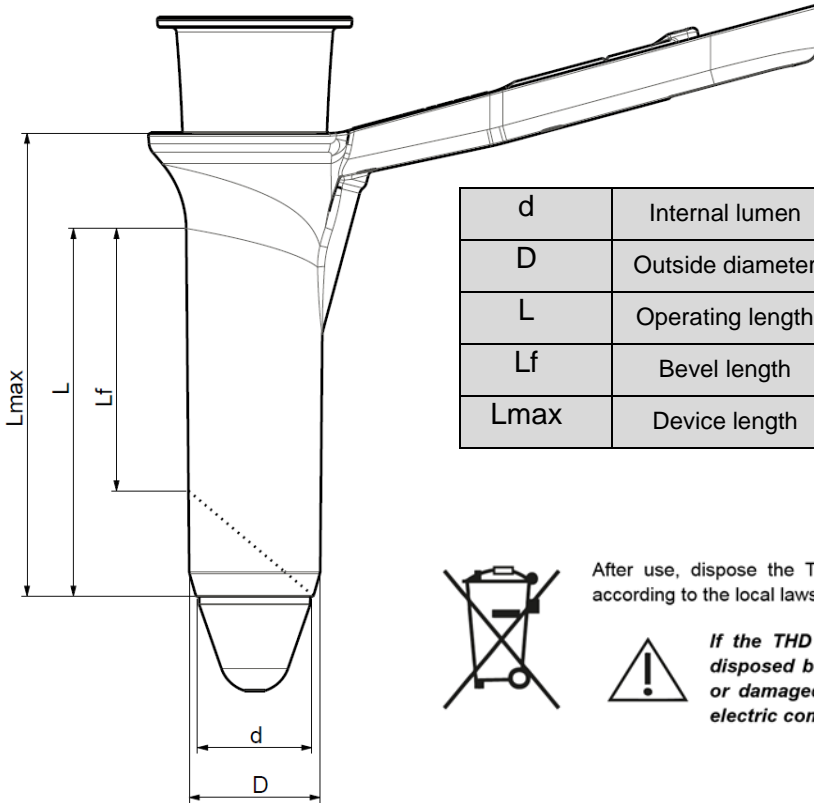




Technical Data

P/N 800040
P/N 800134
P/N 800165
P/N 800166

EN





		N-ano	N-ano MAXI
d	Internal lumen	18.5 mm	22.5 mm
D	Outside diameter	21.7 mm	25.8 mm
L	Operating length	65 mm	72 mm
Lf	Bevel length	52 mm	47 mm
Lmax	Device length	91 mm	91 mm



After use, dispose the THD Light-Scope rectoscope like a biological waste according to the local laws.



If the THD Light-Scope rectoscope with LED needs to be disposed before it has been used (i.e. because it is expired or damaged), do not dispose as general waste. It contains electric components.

THD N-ano		
TRUNCATED		BEVELLED
		
Code	Qty	Name
800040 - 50	50	Anoscopio N-Ano Tronco
800134 - 25	25	Anoscopio N-Ano Flauto
800134 - 50	50	Anoscopio N-Ano Flauto
800165 - 50	50	Anoscopio N-Ano MAXI Tronco
800166 - 25	25	Anoscopio N-Ano MAXI Flauto
800166 - 50	50	Anoscopio N-Ano MAXI Flauto