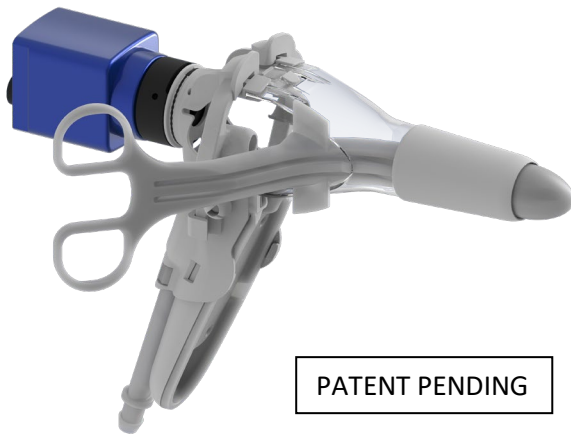


# THD LIGHT-SCOPE PROCTO HRA LASER



## Use

THD Light Scope Procto HRA is a DISPOSABLE device that is used for High Resolution Anoscopy examinations, therefore for the inspection of the anal canal and/or rectal ampulla, not under direct vision, but through magnified vision through a high-speed acquisition system high resolution. Furthermore, by using the THD HR liquid dispenser and THD HRA laser handpiece accessories, it is possible to make a better diagnosis and treat any pathologies using the CO2 laser

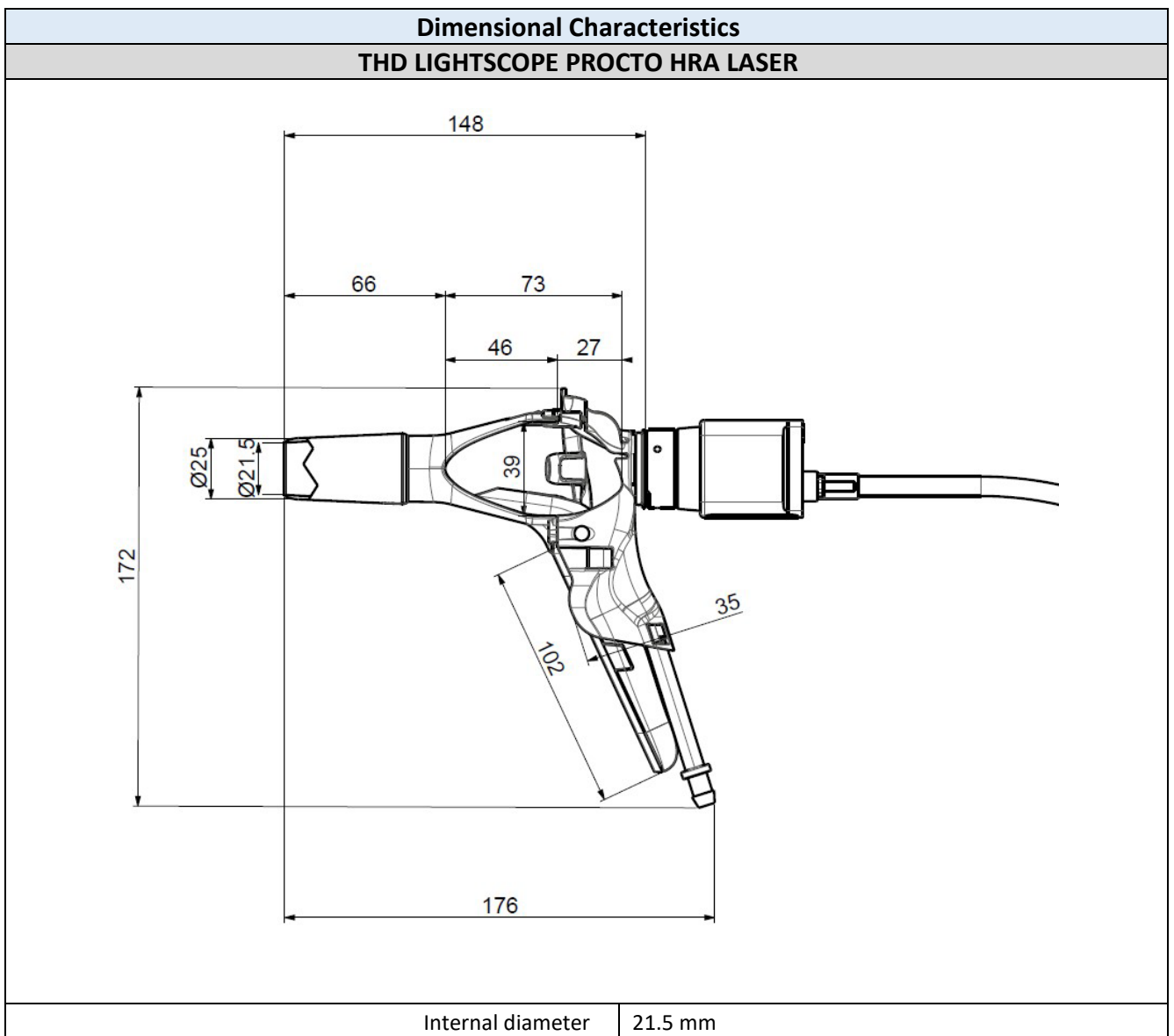
## General Description

THD LightScope Procto HRA is a disposable proctoscope complete with introducer and a camera connection system, with protective sheath. The joint use of the proctoscope and THD HRA Camera 2.0 or THD 4k Cam allows the realization of the High Resolution Anoscopy exam (HRA).

- The handle is equipped with an integrated light source.
- The surface finish and white coloration of the proctoscope's terminal cone provides for light diffusion providing optimal **viewing capability**.
- The introducer and the terminal cone have been designed to make insertion of the proctoscope **non-traumatic**.
- The curved introducer allows it to be used with the insert and the camera engaged, furthermore the transparent tip allows you to glimpse part of the operating area during the phase of introduction of the anoscope.
- **The large side windows allow access to the internal area of the proctoscope without the need to remove the camera.** It is thus possible to insert surgical instruments **without interrupting the magnified view**. The camera connection adapter is equipped with a sheath and a lens that protect the image acquisition device from contamination
- 2 side arms that offer adequate support to the THD laser handpiece accessory and ensure safe use and a correct focus of the laser beam during the THD Laserstation CO2 photo vaporization treatment.
- The side arms can be easily rotated to free the 2 side windows and therefore access the operating area with any biopsy tools or apply contrast media using the THD HR liquid dispenser for better diagnosis of the areas to be treated.
- The anoscope is equipped with an integrated fume system capable of aspirating the fumes produced during the ablation directly near the mouth of the anoscope itself



- The anoscope is designed to be connected to a fume aspirator to be used during CO2 laser treatment. This connection is ergonomically positioned at the end of the anoscope handle and does not interfere with the maneuvers of the same
- This system guarantees optimal fume aspiration by preventing the latter from leaving the anoscope body and thus guaranteeing high safety for the patient and the operator, furthermore it keeps the area free from fumes which can prevent correct vision of the anoscope. operating area.



THDxxxxx\_EN\_Rev00\_20230118\_THD Lightscope Procto HRA LASER LASER



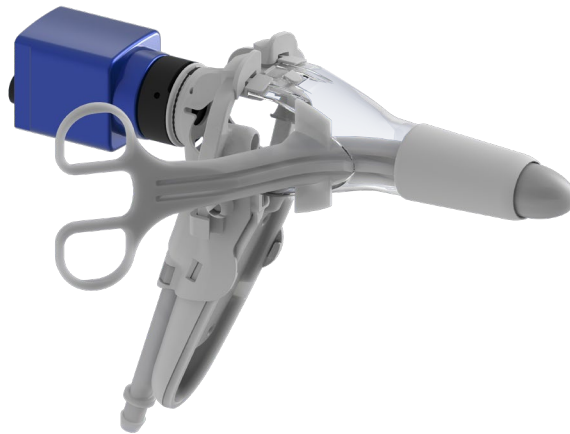
Outer diameter	25 mm
Operating length	66 mm
Proctoscope total length	176 mm
Full length proctoscope with camera adapter	148 mm
Side window dimensions	39 x 73 mm
Handle length	102 mm



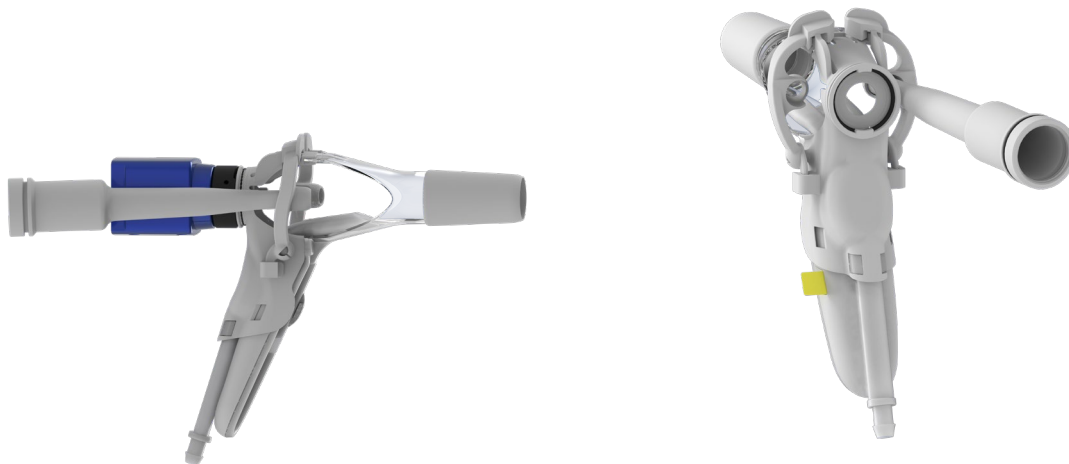
**Functional Characteristics**

**THD LIGHTSCOPE PROCTO HRA LASER**

**Configuration for anoscope introduction**



**Configuration for use of the HRA Laser handpiece**



THDxxxxx\_EN\_Rev00\_20230118\_THD Lightscope Procto HRA LASER LASER



Q.tà	Cod.	Trade Name	Denomination	N° RDM	EMDN
xx	800297-10	THD LIGHT-SCOPE PROCTO HRA LASER	THD Light-Scope Procto HRA laser		

**CONNECTED DEVICES**

Q.tà	Cod.	Denomination	Description	N° RDM	EMDN
1	800227	THD HRA CAMERA 2.0	High resolution USB camera	120859	Z12020405
1	800195	THD 4K CAM HR STATION	High resolution USB camera		
1	800198	THD PROCTOSTATION	Integrated Proctological Platform	120834	Z11040182
1	800299	THD HR STATION	Integrated Proctological Platform		
1	800194	THD PROCTO MOBILE	Portable Proctological Platform	120863	Z11040182
x		THD HR LIQUID DISPENSER	Contrast media applicator		
x	880067	THD HANDPIECE HRA LASER	Disposable tip for CO2 laser		
x	800296	THD LASERSTATION	CO2 laser system		