



# THD LIGHT-SCOPE PROCTO HRA



PATENT PENDING

## Use

THD Light Scope Procto HRA is a DISPOSABLE device specifically designed for High Resolution Anoscopy investigations, hence for the inspection of the anal canal and/or of the rectal ampulla in an enhanced and magnified vision modality, provided by the high resolution digital camera and image acquisition system.

## General description

THD LightScope Procto HRA is a disposable proctoscope complete with an obturator and a connecting assembly to the video camera, complete with a protective sleeve to avoid camera contamination. When connected to the THD HRA Camera 2.0, the proctoscope allows for performing the High Resolution Anoscopy (HRA) examination-

The handle has an integrated LED light-source. The surface finishing and the white-coloured terminal cone of the proctoscope provide a good light diffusion allowing for an optimal visibility.

The seamless contact between the obturator and the terminal cone provides for an atraumatic clinical use of the proctoscope.

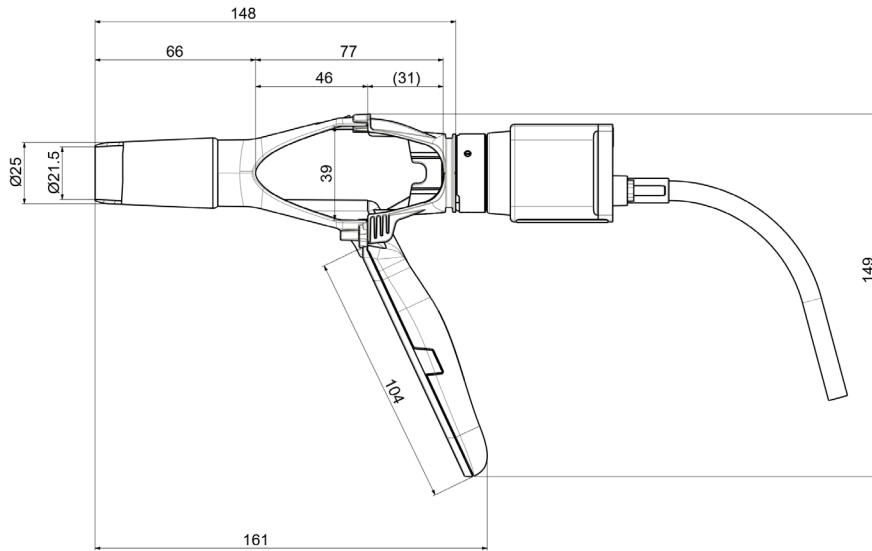
The wide lateral apertures permit the access to the inside tip of the proctoscope without the need to remove the video camera. Thus, it is possible to insert biopsy forceps or lesion-ablating blades under direct magnified visualization. The video camera connector adapter has a quick-release hook system and it is equipped with a sleeve and a lens to protect the video camera from potential contamination.





**Dimensional Features**

**THD LIGHTSCOPE PROCTO HRA**



Inner Diameter	21.5 mm
Outer Diameter	25 mm
Operational Length	66 mm
Proctoscope Total Length	161 mm
Proctoscope with Camera Adaptor Total Length	149 mm
Lateral Window Length	39 x 77 mm
Handle length	104 mm

Q.ty	Code	Trade Name	Denomination
10	800191-10	THD LIGHT-SCOPE PROCTO HRA	THD Lightscope Procto HRA

**CONNECTED DEVICES**

Q.ty	Code	Denomination	Description
1	800227	THD HRA CAMERA 2.0	USB high resolution Camera
1	800198	THD PROCTOSTATION	Integrated Proctologic Platform
1	800194	THD PROCTO MOBILE	Mobile Proctologic Platform

THD370091\_EN\_Rev02\_20220218\_THD Lightscope Procto HRA